

POC-200 Series

Ultra-Compact Atom™ Bay Trail-I Fanless Embedded Controller with PoE and USB 3.0



Key Features

- Ultra-compact 15 cm x 10 cm (6" x 4") footprint
- Intel® Atom™ E3845 1.91GHz quad-core processor
- Rugged, -25°C to 70°C fanless operation
- Two 802.3at (25.5W) Gigabit PoE+ ports
- Three USB 3.0 ports and One USB 2.0 port
- One 2.5" SATA HDD/SSD accommodation
- Up to two RS-232/422/485 ports and two RS-232 ports



*R.O.C Patent No. M492598

Introduction

POC-200 is a breakthrough of Neousys' ultra-compact controller series. Inheriting the concept of favorable POC-100, POC-200 series further incorporates greater computing power and more versatile functions in its 3.5" HDD footprint.

The new Intel® Atom™ Bay Trail processor brings a leaping for both arithmetic and graphics performance. With Atom™ E3845 quad-core processor, POC-200 can deliver more than 200% performance over previous D525/D2550 platform. It also features comprehensive I/O interfaces to make use of the advance of computing power. Two Gigabit Ethernet and three USB 3.0 ports are integrated so you can connect GigE/USB3 cameras for vision applications. Its IEEE 802.3at PoE+ option is capable of supply 25.5W each port to power you IP camera for surveillance applications. POC-200 also features up to four COM ports and digital I/O for general-purpose industrial applications.

Size is another attractive feature of POC-200. Its 6"x4" footprint makes installation of POC-200 extremely easy. And its -25°C to 70°C operating temperature eliminates the restriction for the deployment environment. Neousys provides derivative models with different CPU and I/O configuration so you can always find a fit POC-200 for your application.

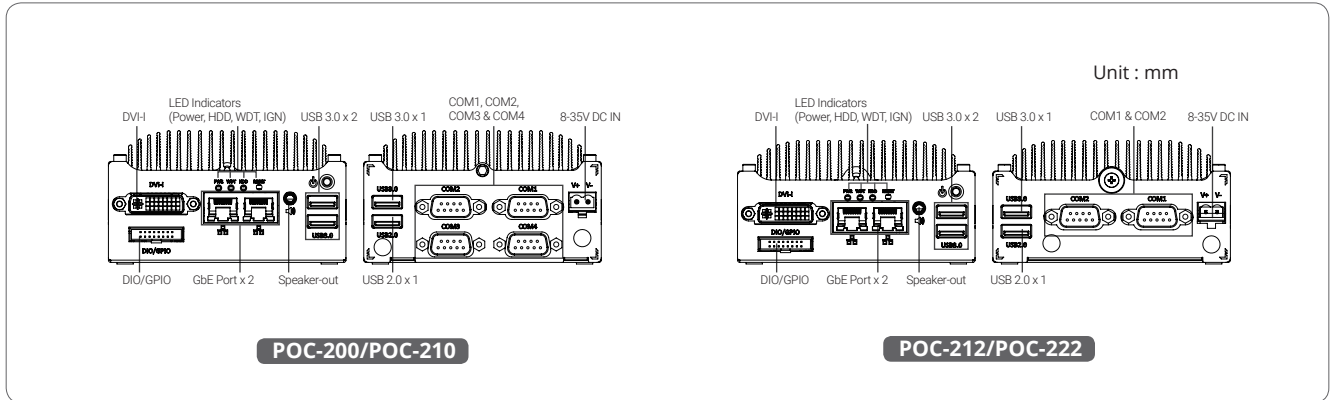
Specifications

	POC-200	POC-210	POC-212	POC-222		POC-200	POC-210	POC-212	POC-222
System Core					Storage Interface				
Processor	Intel® Atom™ E3845 1.91 GHz quad-core processor			Intel® Atom™ E3825 1.33 GHz dual-core processor	SATA	1x internal SATA port for 2.5" HDD/SSD		1x internal SATA port with easy-swap HDD tray for 2.5" HDD/SSD	
Graphics	Integrated Intel® HD Graphics				Power Supply				
Memory	1x SODIMM socket for DDR3L-1333, up to 8GB			DDR3L-1067, up to 4GB	DC Input	1x 2-pin pluggable terminal block for Built-in 8~35 VDC DC input			
Panel I/O Interface					Mechanical				
Ethernet	2x Gigabit Ethernet ports by Intel® I210 GbE controller				Dimension (W x D x H)	105mm x 58mm x 149 mm		105mm x 53 mm x 149 mm	
PoE	IEEE 802.3at PoE+(25.5W each GbE port)		-		Weight	1.05 kg			
Video Port	1x DVI-I connector for both analog RGB and DVI/HDMI outputs				Mounting	Wall-mount (Standard) ; DIN-rail mount (Optional)			
Serial Port	2x RS-232/422/485 (COM1 & COM3) 2x RS-232 (COM2 & COM4)		1x RS-232/422/485 (COM1) 1x RS-232 (COM2)		Environmental				
USB	3x USB 3.0 ports and 1x USB 2.0 port				Operating Temp.	-25°C ~ 70°C with SSD, 100% CPU loading **/**** -10°C ~ 50°C with HDD, 100% CPU loading **/****			
Audio	1x Speaker-out				Storage Temp.	-40°C ~85°C			
DIO	4-CH isolated DI 4-CH isolated DO		8-CH 5V TTL GPIO (Standard) 4-CH isolated DI + 4-CH isolated DO (Optional)		Humidity	10%~90% , non-condensing			
Panel I/O Interface					Vibration	Operating, 5 Grms, 5-500 Hz, 3 Axes (w/ SSD, according to IEC60068-2-64)			
Mini-PCle	1x mini PCI Express slot with USIM socket				Shock	Operating, 50 Grms, Half-sine 11 ms Duration (w/ SSD, according to IEC60068-2-27)			
					EMC	CE/FCC Class A, according to EN 55022 & EN 55024			

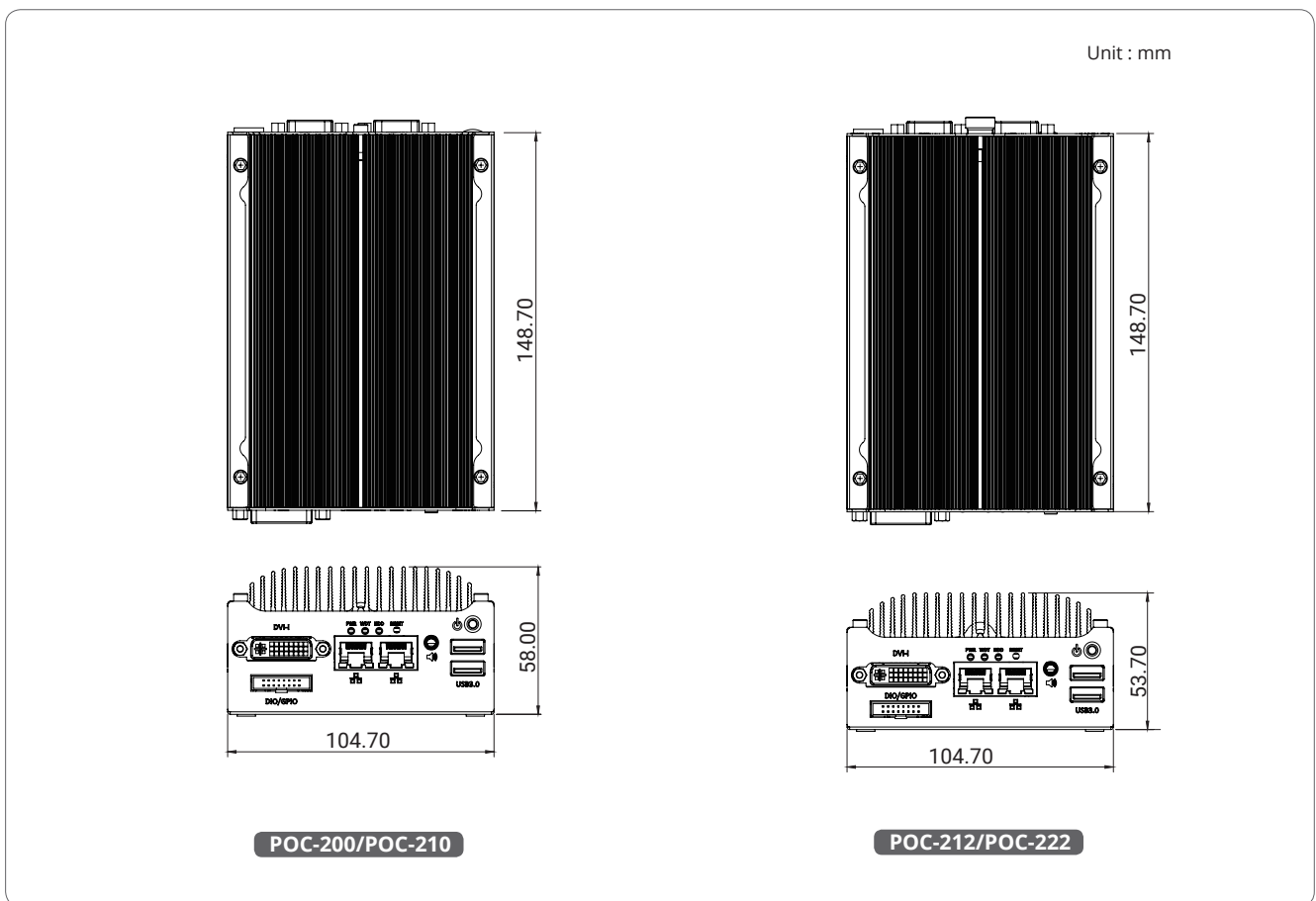
*100% CPU loading is applied using Intel® Thermal Analysis Tool. For detail testing criteria, please contact Neousys Technology.

** For sub-zero operating temperature, a wide temperature mSATA SSD module is required.

Appearance



Dimensions



Ordering Information

Model No.	Product Description
POC-200	Intel® Atom™ E3845 ultra-compact controller with 2x 802.3at PoE ports, 3x USB 3.0 ports and 4x COM ports
POC-210	Intel® Atom™ E3845 ultra-compact controller with 2x GbE ports, 3x USB 3.0 ports and 4x COM ports
POC-212	Intel® Atom™ E3845 ultra-compact controller with 2x GbE ports, 3x USB 3.0 ports and 2x COM ports
POC-222	Intel® Atom™ E3825 ultra-compact controller with 2x GbE ports, 3x USB 3.0 ports and 2x COM ports

Optional Accessories

- DIN-Rail mounting kit
- 60W AC/DC power adapter with 12V, 5A DC output