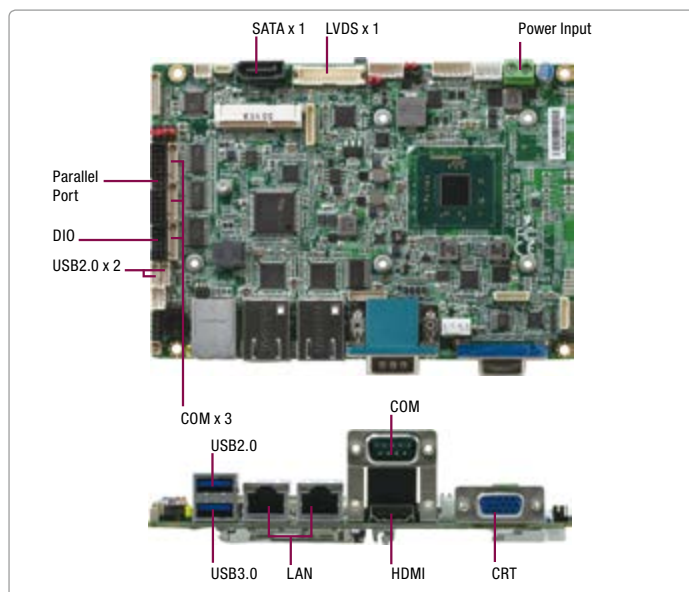


GENE-BT05

3.5" SubCompact Board with Intel® Celeron® N2930/N2807 Processor



Features

- Onboard Intel® Celeron® N2930/N2807 Processor
- DDR3L 1066/1333MHz SODIMM x 1, Up to 8 GB
- Gigabit Ethernet x 2, RJ-45 x 2
- CRT, 18/24-bit Dual-Channel LVDS LCD, HDMI
- 2CH HD Audio
- SATA 3.0Gb/s x 1, CFast™ x 1
- USB3.0 x 1, USB2.0 x 3, COM x 4, 8-bit Digital I/O
- Mini Card x 2 (Full-size x 1, Half-size x 1)
- +12V Only Operation
- Onboard 4/5/8-wire Resistive Touch Screen Controller (Optional)
- AAEON Hi-Safe/SDK/Utility Supported
- mSATA x 1 (Optional, Would Replace Mini Card Interface)
- Onboard Trusted Platform Module (Optional)

Specifications

System	
Form Factor	3.5"
Processor	Onboard Intel® Celeron® N2930/N2807 Processor
System Memory	204-pin DDR3L 1066/1333MHz SODIMM x 1, up to 8 GB
Chipset	Intel® Celeron® series SoC Processor
I/O Chipset	Fintek F81866D
Ethernet	Intel® I211, 10/100/1000Base-TX, RJ-45 x 2
BIOS	AMI BIOS - 8MB SPI Flash
Wake on LAN	Yes
Watchdog Timer	Generates a time-out system reset
H/W Status Monitoring	Supports power supply voltages and temperature monitoring
Expansion Interface	Mini Card x 2, LPC (Full-size x 1, Half-size x 1)
Trusted Platform Module (TPM)	Atmel, AT97SC3204 (optional)
Battery	Lithium battery
Power Requirement	+12V, AT/ATX
Power Consumption (Typical)	—
Board Size	5.75" x 4" (146mm x 101.6mm)
Gross Weight	0.88 lb (0.4 kg)
Operating Temperature	32°F ~ 140°F (0°C ~ 60°C)
Storage Temperature	-40°F ~ 176°F (-40°C ~ 80°C)
Operating Humidity	0% ~ 90% R/H, non-condensing
MTBF (Hours)	—
Display	Supports CRT/LCD, HDMI/LCD simultaneous/ dual view displays
Chipset	Intel® Celeron® series SOC Processor
Memory	Shared system memory up to 512MB
Resolutions	Up to 2560 x 1600 for CRT, up to 1920 x 1200 for LCD, HDMI
LCD Interface	Up to 24-bit dual-channel LVDS x 1
HDMI	Up to 1920x1080 @ 60 Hz
I/O	
Storage	SATA 3.0Gb/s x 1, CFast™ x 1, Half-size mSATA x 1(Optional)
Serial Port	RS-232 x 2, RS-232/422/485 (auto flow) x 2
USB	USB3.0 x 1, USB2.0 x 3
PS/2 Port	Keyboard x 1, Mouse x 1
Digital I/O	Supports 8-bit (Programmable)
Audio	Line-in, Line-out, Mic-in
Touch Screen	Support 4/5/8-wire resistive touch screen (optional)



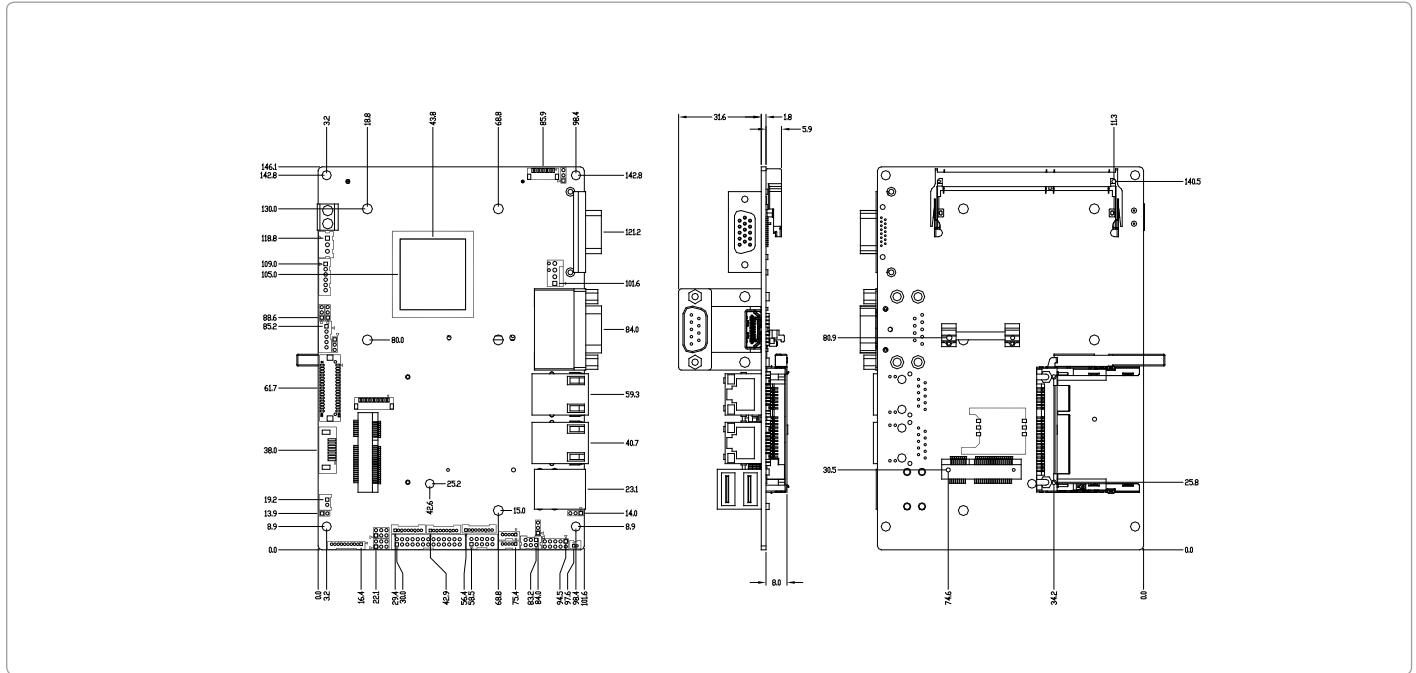
Packing List

- Product DVD
- GENE-BT05 with Passive Heatsink

GENE-BT05

Dimension

Unit: mm



Ordering Information

Part Number	CPU	Fan/Fanless	Display	LVDS	Storage	LAN	USB	RS-232	RS-232/422/485	Expansion Slot	Power	Temp
GENE-BT05-A10-0001	N2930	Fanless	CRT + LVDS LVDS + HDMI HDMI + CRT	24bit, 2CH	SATAx 1, CFast	GbE x 2	USB3.0 x 1, UBS2.0 x 3	2	2	Mini Card x 2 (Full-Size x 1, Half-Size x 1)	+12V, AT/ATX	0°C ~ 60°C
GENE-BT05-A10-0002	N2930	Fanless	CRT + LVDS	24bit, 2CH	SATAx 1, mSATA x1 (Half Size)	GbE x 2	USB3.0 x 1, UBS2.0 x 3	2	2	Mini Card x 1 (Full-Size)	+12V, AT/ATX	0°C ~ 60°C
GENE-BT05-A10-0003	N2807	Fanless	CRT + LVDS LVDS + HDMI HDMI + CRT	24bit, 2CH	SATAx 1, CFast	GbE x 2	USB3.0 x 1, UBS2.0 x 3	2	2	Mini Card x 2 (Full-Size x 1, Half-Size x 1)	+12V, AT/ATX	0°C ~ 60°C
GENE-BT05-A10-0004	N2807	Fanless	CRT + LVDS	24bit, 2CH	SATAx 1, mSATA x1 (Half Size)	GbE x 2	USB3.0 x 1, UBS2.0 x 3	2	2	Mini Card x 1 (Full-Size)	+12V, AT/ATX	0°C ~ 60°C

Optional Accessories

- **1700050207**
USB Cable, Length 20cm
- **1701090150**
COM Port Cable, Length 15cm
- **1709100254**
Audio Cable, Length 25cm
- **1709070500**
SATA Cable, Length 50cm
- **1701260200**
Parallel Port Cable, Length 20cm
- **170204010R**
Big Double Row 4-Pin Power Input Cable For +12V Input, Length 10cm
- **1702150155**
Power Cable for 2.5" SATA Hard Disk, Length 15cm
- **170220020B**
Conversion Cable ATX Power Supply, Length 20cm
- **1700060157**
Keyboard/Mouse Cable