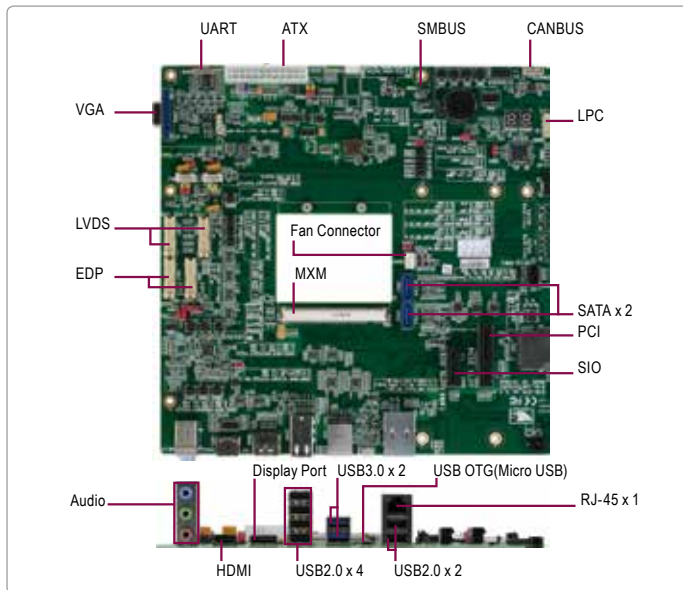


# ECB-970

Qseven Rev. 2.0 Carrier Board for ARM/x86 Solutions



## Features

- Supports Qseven Module
- Support both ARM/x86 Based Q7 CPU module
- Supports Gigabit Ethernet, RJ-45 x 1
- Up to 18-bit Single-Channel LVDS Connector, VGA (for X86)
- Up to 24-bit Dual-Channel LVDS Connector or EDP, DP or HDMI (for ARM)
- High Definition Audio (for X86), I2S Audio Interface (for ARM)
- SATA Port x 2, SDIO x 1 (for X86), SATA Port x 1 (for ARM)
- USB 2.0 x 8, USB 3.0 x 2 (for X86), USB 2.0 x 5 (Share One USB OTG)
- Qseven Specification 2.0
- LPC Connector x 1, Micro ATX Form Factor



## Specifications

System	X86	ARM
Form Factor	Micro ATX	
I/O Chipset	N/A (Legacy Support)	—
Ethernet	10/1000/1000Base-TX, RJ-45 x 1 (From CPU module)	
Expansion	Interface PCI Express [x4] x 1 (For Super I/O Card only), LPC Connector x 1	PCIe[x1] x1
Power Requirement	+5V DC	+5V DC
Power Consumption (Typical)	—	3~5 Watt @5V
Board Size	9.65" x 9.65" (243.84mm x 243.84mm)	
Gross Weight	1.32 lb (0.6 Kg)	
Operation Temperature	32°F ~ 140°F (0°C ~ 60°C)	
Storage Temperature	-40°F ~ 185°F (-40°C ~ 85°C)	
Operation Humidity	0% ~ 90% relative humidity, non-condensing	
MTBF (Hours)	75,000	
<b>Display</b>	LVDS or EDP, DP or HDMI	
DVI/CRT	VGA x 1	—
LVDS	18-bit Single Channel LVDS	24-bit Dual-Channel LVDS
DDI	—	LVDS x 2, eDP x 2, HDMI x 1
<b>I/O</b>		
Storage	SATA x 2, SDIO x 1	SATA 2 x 1, eMMC (optional)
Serial Port	RS-232 x 1, RS-232/422/485 x 1	One, For debug only
Parallel Port	—	—
USB	USB 2.0 x 8, USB3.0 x 2	USB 2.0 x 5 (one share with USB OTG)
PS/2 Port	—	—
I2C	—	1
Audio	Line-in, Line-out, Microphone	Headphone
Debug LED	Port 80	—

\*Above function support will vary by different Q7 CPU module

## Packing List

### ECB-970-A10

- PER-T289  
(PCI-E[x4] to PCI-E[x1]) Converter Board
- 1701090150  
COM Port Cable x 2
- 1709070500  
SATA Cable x 2
- Product CD
- ECB-970

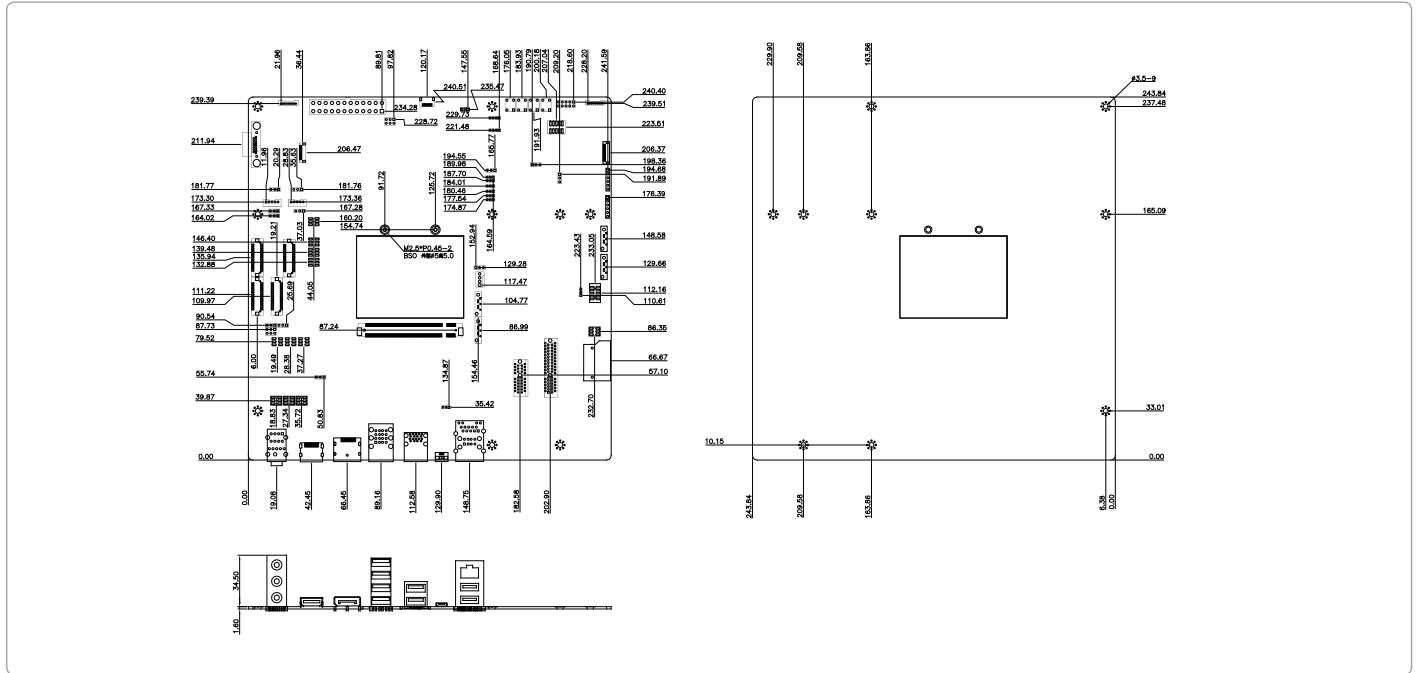
### ECB-970-A10

- 1701090150  
UART Cable x 2
- 1701090150  
COM Port Cable x 2
- 1700050309  
USB OTG Cable x 1
- Product CD
- ECB-970

# ECB-970

## Dimension

Unit: mm



## Ordering Information

- **ECB-970-A10**  
Qseven Carrier Board, GbE, LVDS, Audio, COM, USB2.0, USB3.0, DC, Rev. A1.0 for X86
- **ECB-970-A10-01**  
Qseven Carrier Board, GbE, LVDS, Audio, COM, USB2.0, USB3.0, USB OTG, DC, Rev. A1.0 for ARM